

DATASHEET 2IL5-6I6 Series

5" INSET LED-LIGHT for Heliports

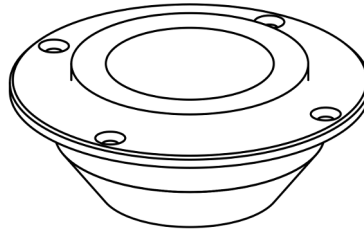


Figure 1: 2IL5 LED-Inset Light

The 2IL5-6I6 Series 5" Inset LED-Lights are designated as Visual Aids for Heliports

FEATURES

- Fully compliant to ICAO Annex 14 Vol 2., FAA EB 87 and CAP 437
- Complies with 6.6A Serial Circuit
- Optimized light output due to patented optics concept
- Fully resistant against intrusion of liquids, dusts and mechanical shocks due to sealed optics and electronics
- No fogging
- Compact and low propulsion
- Optimized for integration in elevated Helipads
- Safety Extra Low Voltage compliant
- Enhanced surge current protection
- Corrosion resistant anodized Aluminum-housing
- NVG Option available
- CE Certified

PURPOSE

Function		Standard	Color	Article
Touch Down and Lift Off Area Light	TLOF	ICAO	green	2IL5-SF-6I6-0-H-G
Touch Down and Lift Off Area Light	TLOF	FAA	green	2IL5-SF-6I6-0-H-G
Final Approach and Take Off Area Light	FATO	FAA	green	2IL5-SF-6I6-0-H-G
Flight Path Alignment Light		FAA	green	2IL5-SF-6I6-0-H-G
Perimeter Light		CAA	green	2IL5-SF-6I6-0-H-G
Flight Path Alignment Guidance Light	FPALS	ICAO	white	2IL5-SF-6I6-0-H-W
Final Approach and Take Off Area Light	FATO	ICAO	white	2IL5-SF-6I6-0-O-W
Aim Point Light		ICAO	white	2IL5-SF-6I6-0-O-W
Touch Down and Lift Off Area Light	TLOF	ICAO(2008)	yellow	2IL5-SF-6I6-0-H-Y
Flight Path Alignment Guidance Light		CASA	yellow	2IL5-SF-6I6-0-H-Y
Helicopter Taxiway Edge Light		ICAO	blue	2IL5-SF-6I6-0-H-B
Multi Purpose Light (Warning)			red	2IL5-SF-6I6-0-H-R

REFERRED STANDARDS

- ICAO Annex 14 Vol 2. Heliports, 4. Edition
- ICAO Annex 14 Vol 1. Aerodrome Design and Operation
- ICAO DOC 9261 Heliport Manual
- ICAO DOC 9157 Aerodrome Design Manual Part 4 (Visual Aids)
- ICAO DOC 9157 Aerodrome Design Manual Part 5 (Electrical Systems)
- EASA CS HDR DSN
- FAA AC 150/5390-2C Heliport Design
- FAA Engineering Brief 87 Heliport Perimeter Light for Visual Metrological Conditions
- FAA Engineering Brief 67D Light Sources others than Incandescent and Xenon
- CAA CAP 437 Standards for Offshore Helicopter Landing Areas
- CASA CAAP 92-2 Guidelines for the establishment and operation of onshore Helicopter Landing Sites
- IEC TS 61827
- IEC 61822 Electrical installations for lighting and beaconing of aerodromes – Constant current regulators

VARIANTS

Article	Color	Night Vision
2IL5-SF-6I6-0-H-G	green	
2IL5-SF-6I6-0-H-W	white	
2IL5-SF-6I6-0-O-W	white	
2IL5-SF-6I6-0-H-Y	yellow	
2IL5-SF-6I6-0-H-B	blue	
2IL5-SF-6I6-0-H-R	red	
2IL5-SF-6I6-0-H-G-NVG	green	x
2IL5-SF-6I6-0-H-W-NVG	white	x
2IL5-SF-6I6-0-O-W-NVG	white	X
2IL5-SF-6I6-0-H-Y-NVG	yellow	x
2IL5-SF-6I6-0-H-B-NVG	blue	x
2IL5-SF-6I6-0-H-R-NVG	red	x

TECHNICAL DATA

Electrical data		
Operating Current:		1.8A-6.7A RMS
CCR Type		Sine Wave and Phase Fire Control
Phi min at I _{max}		50% or 90°
Power Factor		>70%
Surge Protection	8/20μs	5kA 10 times 10kA 1 time
	1.2/50μs	10kV 10 times
Idle Load	No Light	5.2W
	with IR	5.3W
IR Option	Wavelength	850nm
	Intensity	120mW

Power Consumption

Article	Color	Power (100%)
2IL5-SF-6I6-0-H-G	green	9.8W
2IL5-SF-6I6-0-H-W	white	9.8W
2IL5-SF-6I6-0-O-W	white	14.1W
2IL5-SF-6I6-0-H-Y	yellow	9.8W
2IL5-SF-6I6-0-H-B	blue	9.8W
2IL5-SF-6I6-0-H-R	red	9.8W
2IL5-SF-6I6-0-H-G-NVG	green	9.9W
2IL5-SF-6I6-0-H-W-NVG	white	9.9W
2IL5-SF-6I6-0-O-W-NVG	white	14.6W
2IL5-SF-6I6-0-H-Y-NVG	yellow	9.9W
2IL5-SF-6I6-0-H-B-NVG	blue	9.9W
2IL5-SF-6I6-0-H-R-NVG	red	9.9W

DIMMCURVE

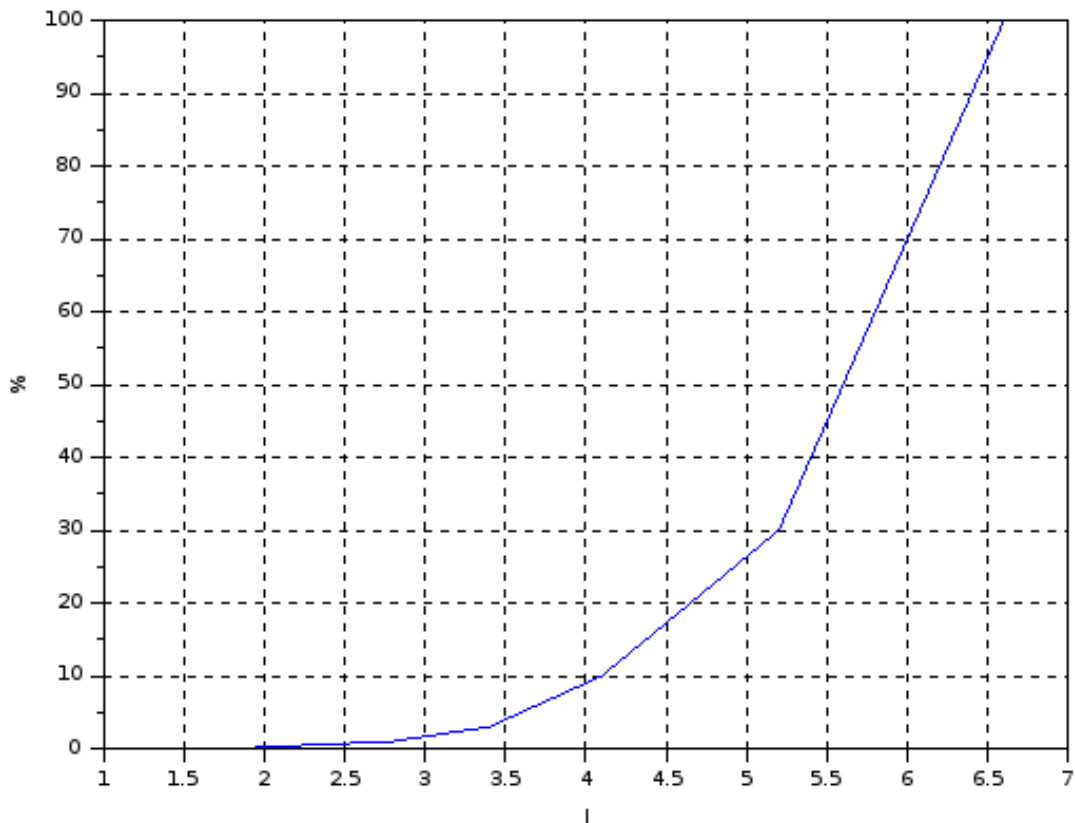


Figure 2: Dimmcurve Light Output vs. Current RMS

LIGHT DISTRIBUTION

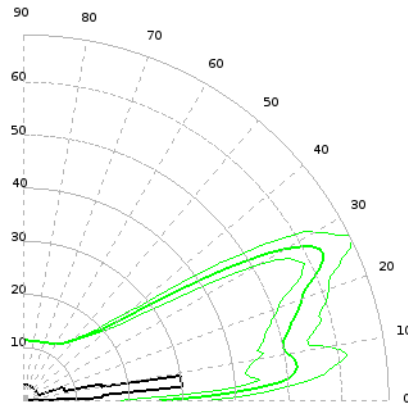


Figure 3: Light Distribution TLOF

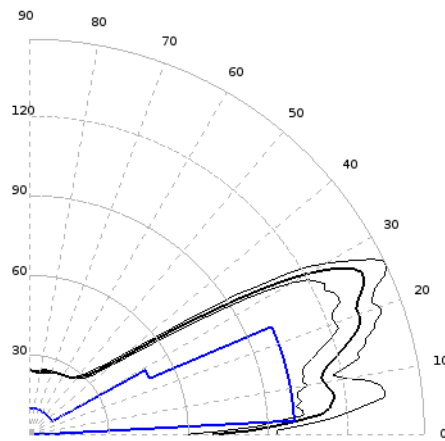


Figure 4: Light Distribution FATO

AVAILABLE COLORS

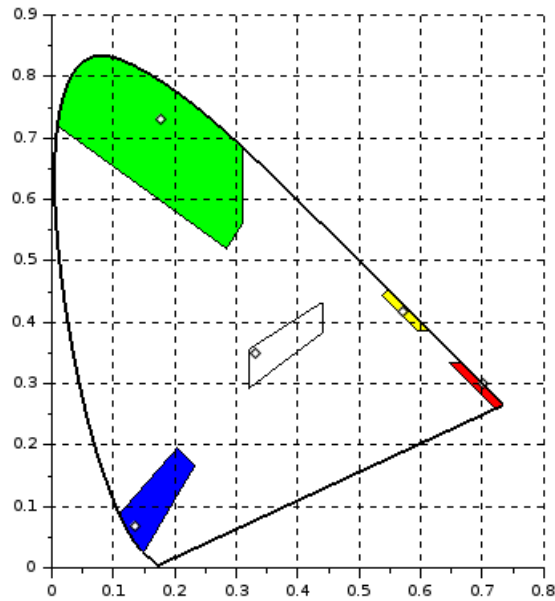


Figure 5: Color Coordinates

MECHANICAL AND ENVIRONMENTAL PROPERTIES

Connection

Connector	FAA L-823 Style 1
Cable	Material 2 X 1.5mm ² TPE
	Length 25 cm

Environmental Properties

Operating Temperature	-40°C to +55°C
Solar radiation	1 kW/m ²
Storage Temperature	-40°C to +85°C
Protection Class	IP68
Useful Lifetime	>100'000h

Device Properties

Materials	Housing	AlSi hard anodized
	Sealant	PUR (UV-resistant)
Surface Color (Housing)		Aluminum nature
Weight		0.65 kg
Package	Dimensions	190 X 190 X 160 mm
	Weight	0.9 kg

DIMENSIONS

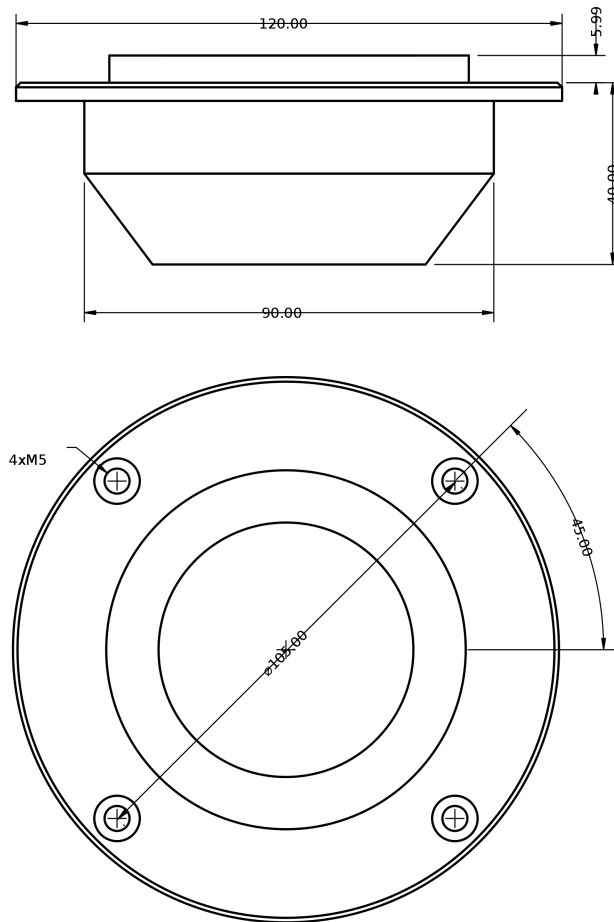


Figure 6: Dimensions

The 2IL5 Light is fixed with 4x M5 Screws; countersunk head, stainless steel (A4 grade)

AUXILIARIES

- Adaptor Plate for mounting in 8" Shallow Bases according to IEC TS 61827 / FAA AC 5439/150-46D
- Shallow Base 180mm Dia. X 120mm (Order code: 2IL5-SB)

Rev 1.1 Apr. 2019

BATT GmbH

Wilhelm-Bertelsmann-Str. 8
33602 Bielefeld
Germany

Tel: +49 521 96797 49

<http://www.batt-gmbh.com>
info@batt-gmbh.com

BATT GmbH reserves the right to change technical data and details at any point in time. Errors may occur. All rights reserved. Publication, copying, distribution, exhibition, representation and/or reproduction in any form or utilization are explicitly prohibited without prior approval by BATT GmbH